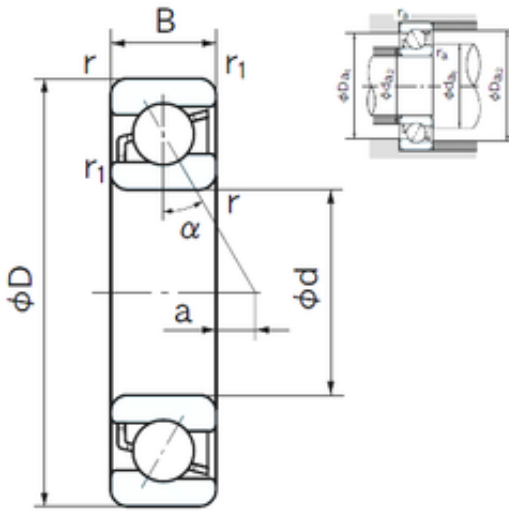




NTK BEARING PRECISION AXLE CORP.



180 mm x 380 mm x 75 mm NACHI 7336
angular contact ball bearings

Bearing No. 7336

7336 Bearing 2D drawings and 3D CAD models

| | |
|-------------------------------|------------------|
| Size | 180x380x75 mm |
| Bore Diameter | 180 mm |
| Outer Diameter | 380 mm |
| Width | 75 mm |
| d | 180 mm |
| D | 380 mm |
| B | 75 mm |
| C | 75 mm |
| Angle (°) | 30 ° |
| a | 43.3 mm |
| r min. | 4 mm |
| r1 min. | 1.5 mm |
| da min. | 198 mm |
| Da max. | 362 mm |
| ra max. | 3 mm |
| Weight | 41.3 Kg |
| Basic dynamic load rating (C) | 410 kN |
| Basic static load rating (C0) | 535 kN |
| (Grease) Lubrication Speed | 1400 r/min |
| Configuration | Single Row |
| Enclosure | Open |
| Bore Type | Cylindrical Bore |
| Bore Size | 180 mm |
| Outside Diameter | 380 mm |
| Width | 75 mm |



NTK BEARING PRECISION AXLE CORP.

| | |
|-------------------------|-----------|
| Fillet Radius/Chamfer | 4 mm |
| r1 | 1.5 mm |
| Dynamic Load Rating | 410,000 N |
| Static Load Rating | 535,000 N |
| Limiting Speed - Grease | 1,400 rpm |
| Limiting Speed - Oil | 2,000 rpm |
| da1 (min) | 198 mm |
| da2 (min) | 189 mm |
| Da1 (max) | 362 mm |
| Da2 (max) | 371 mm |
| ra (max) | 3 mm |
| ra1 (max) | 1.5 mm |