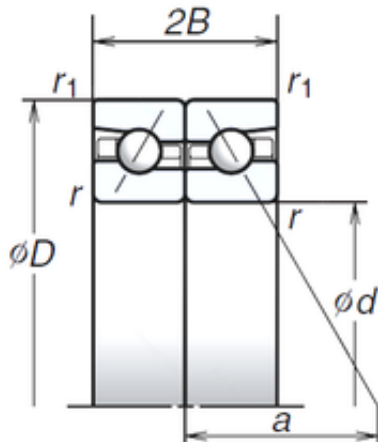




NTK BEARING PRECISION AXLE CORP.

120 mm x 180 mm x 27 mm NSK 120BTR10S
angular contact ball bearings



Bearing No. 120BTR10S

Size	120x180x27 mm
Bore Diameter	120 mm
Outer Diameter	180 mm
Width	27 mm
d	120 mm
D	180 mm
B	27 mm
C	27 mm
Angle (°)	40 °
a	76,4 mm
r min.	2 mm
r1 min.	1 mm
2B	54 mm
Weight	2,262 Kg
Basic dynamic load rating (C)	68 kN
Basic static load rating (C0)	160 kN
(Grease) Lubrication Speed	4 400 r/min
(Oil) Lubrication Speed	5 700 r/min

120BTR10S Bearing 2D drawings and 3D CAD models