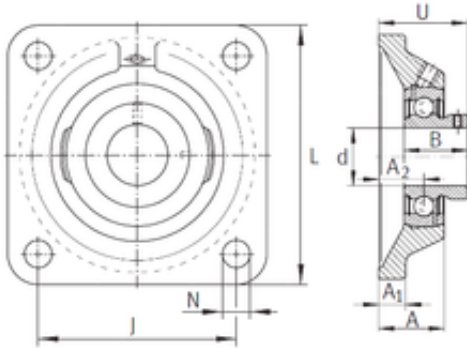




NTK BEARING PRECISION AXLE CORP.

INA PCJY1-1/4 bearing units



PCJY1-1/4 Bearing 2D drawings and 3D CAD models

Bearing No. PCJY1-1/4

Bore Diameter	31.75 mm
d	31.75 mm
V	103,988 mm
U	46,507 mm
Thread (Q)	1/8 NPT
A	34,493 mm
A1	13,487 mm
B	35,001 mm
J	91,999 mm
L	118,491 mm
N	13,995 mm
A2	21,006 mm
Category	Flange Block Bearings
Inventory	0.0
Manufacturer Name	SCHAEFFLER GROUP
Minimum Buy Quantity	N/A
Weight / Kilogram	1.6
Product Group	M06110
Number of Mounting Holes	4
Mounting Method	Set Screw
Housing Style	4 Bolt Square Flange Block
Rolling Element	Ball Bearing
Housing Material	Cast Iron
Expansion / Non-expansion	Non-expansion
Mounting Bolts	27/49 Inch
Relubricatable	Yes



NTK BEARING PRECISION AXLE CORP.

Insert Part Number	GAY104NPPB
Seals	Double Lip Contact
Housing Configuration	1 Piece Solid
Pilot Configuration	No Pilot
Inch - Metric	Inch
Long Description	4 Bolt Square Flange Block; 1-1/4" Bore; 5.1" Bolt Circle; 3.622" Bolt Spacing; 1 Piece Solid; Set Screw Mount; Cast Iron; Ball Bearing; 1.378" Length Thru Bore; Relubricatable; Do
Other Features	Single Row With Grub Screw
Category	Flange Block
UNSPSC	31171501
Harmonized Tariff Code	8483.20.40.40
Noun	Bearing
Keyword String	Flanged
Manufacturer URL	http://www.ina.com
Manufacturer Item Number	PCJY1-1/4
Weight / LBS	3.528
Cartridge Pilot Depth	0 Inch 0 Millimeter
Length Thru Bore	1.378 Inch 35 Millimeter
Bore	1.25 Inch 31.75 Millimeter
Bolt Spacing	3.622 Inch 92 Millimeter
Nominal Bolt Circle Diameter Round	5.1 Inch 130 Millimeter
Cartridge Pilot Diameter	0 Inch 0 Millimeter