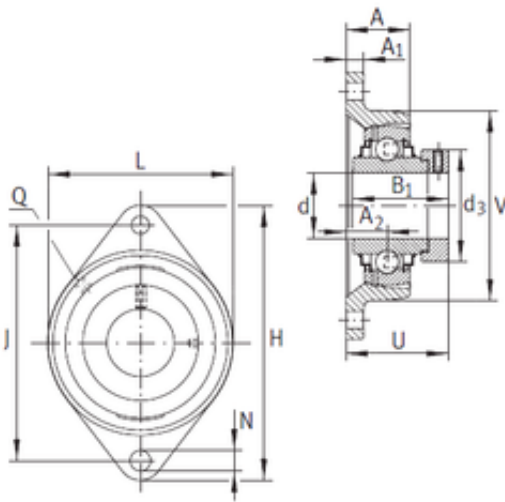




NTK BEARING PRECISION AXLE CORP.

INA RCJT30-N-FA125 bearing units

Bearing No. RCJT30-N-FA125



RCJT30-N-FA125 Bearing 2D drawings and 3D CAD models

Bore Diameter	30 mm
d	30 mm
V	80 mm
U	50,2 mm
Thread (Q)	Rp1/8
d3	44 mm
A	29 mm
A1	12 mm
B1	48,5 mm
H	142 mm
J	116,5 mm
L	80 mm
N	11,5 mm
A2	20 mm
Weight	0,88 Kg
Basic dynamic load rating (C)	19,5 kN
Category	Bearings
Inventory	0.0
Manufacturer Name	SCHAEFFLER GROUP
Minimum Buy Quantity	N/A
Weight / Kilogram	0.88
Product Group	M06110