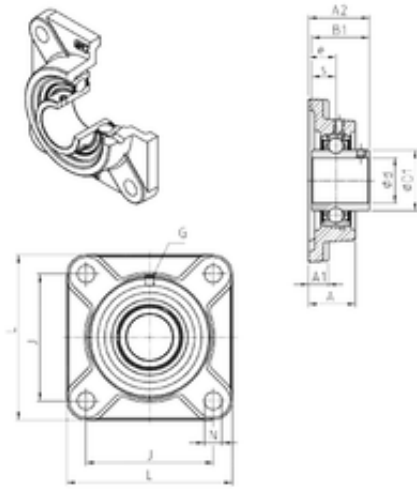




NTK BEARING PRECISION AXLE CORP.



SNR UCF217 bearing units

Bearing No. UCF217

Bore Diameter	85 mm
d	85 mm
e	36 mm
s	34,1 mm
A	63 mm
A1	24 mm
B1	85,7 mm
D1	105,1 mm
J	175 mm
L	220 mm
N	23 mm
Thread (G)	M10x1
A2	87,6 mm
Weight	8,8 Kg
Basic dynamic load rating (C)	83,2 kN

UCF217 Bearing 2D drawings and 3D CAD models