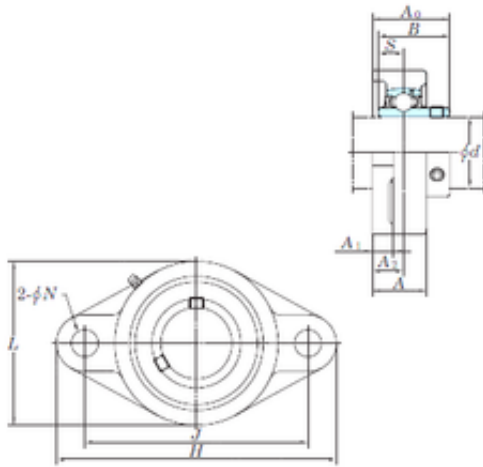




NTK BEARING PRECISION AXLE CORP.

KOYO UCFL211-34 bearing units

Bearing No. UCFL211-34



Bore Diameter	53,975 mm
d	53,975 mm
A0	58,4 mm
A	43 mm
A1	18 mm
B	55,6 mm
H	224 mm
J	184 mm
L	130 mm
N	19 mm
S	22,2 mm
A2	25 mm
Weight	3,3 Kg
Basic static load rating (C0)	43,4 kN

UCFL211-34 Bearing 2D drawings and 3D CAD models