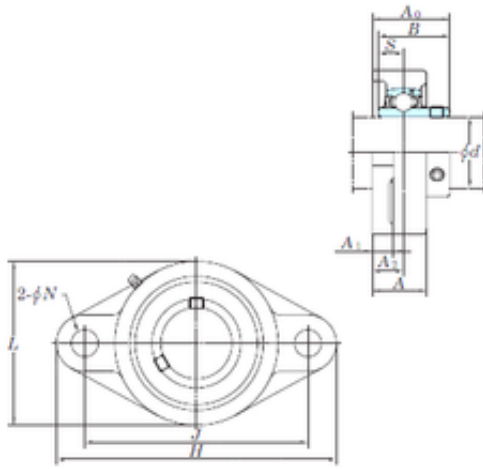




NTK BEARING PRECISION AXLE CORP.

KOYO UCFL314-44 bearing units

Bearing No. UCFL314-44



UCFL314-44 Bearing 2D drawings and 3D CAD models

Bore Diameter	69,85 mm
d	69,85 mm
A0	81 mm
A	61 mm
A1	28 mm
B	78 mm
H	315 mm
J	250 mm
L	185 mm
N	35 mm
S	33 mm
A2	36 mm
Weight	9,7 Kg
Basic static load rating (C0)	104 kN