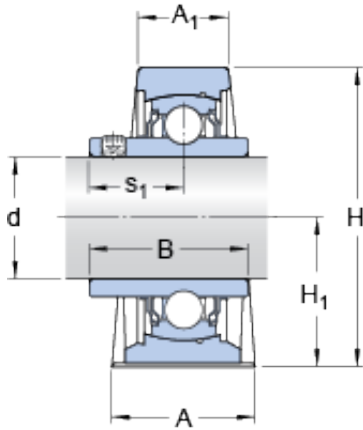




# NTK BEARING PRECISION AXLE CORP.



SY 35 TF/VA228 Bearing 2D drawings and 3D CAD models

## SKF SY 35 TF/VA228 bearing units

Bearing No. SY 35 TF/VA228

|   |             |
|---|-------------|
| Size                                      | 45x35x29 mm |
| Bore Diameter                             | 45 mm       |
| Outer Diameter                            | 35 mm       |
| Width                                     | 29 mm       |
| d   | 35 mm       |
| A   | 45 mm       |
| A <sub>1</sub>                            | 29 mm       |
| H   | 93 mm       |
| H <sub>1</sub>                            | 47.6 mm     |
| H <sub>2</sub>                            | 19 mm       |
| L   | 160 mm      |
| J   | 126 mm      |
| H   | 21 mm       |
| N <sub>1</sub>                            | 14 mm       |
| B   | 42.9 mm     |
| s <sub>1</sub>                            | 25.4 mm     |
| Basic dynamic load rating - C             | 25.5 kN     |
| Basic static load rating - C <sub>0</sub> | 15.3 kN     |
| Limiting speed                            | 160 r/min   |
| Limiting temperature - T                  | 350 ° C     |
| Mass bearing unit                         | 1.46 kg     |
| Grub (set) screw - G <sub>2</sub>         | M6x0.75     |
| Hexagonal key size for grub screw - H     | 3 mm        |
| Recommended tightening                    | 4 N · m     |



## NTK BEARING PRECISION AXLE CORP.

|                           |  |
|---------------------------|--|
| torque for grub screw     |  |
| Category                  | Pillow Block Bearings  |
| Inventory                 | 0.0  |
| Manufacturer Name         | SKF  |
| Minimum Buy Quantity      | N/A  |
| Weight / Kilogram         | 1.634  |
| EAN                       | 7316571382364  |
| Product Group             | M06110   |
| Number of Mounting Holes  | 2  |
| Mounting Method           | Set Screw  |
| Housing Style             | 2 Bolt Pillow Block  |
| Rolling Element           | Ball Bearing   |
| Housing Material          | Cast Iron  |
| Expansion / Non-expansion | Non-expansion  |
| Mounting Bolts            | 12 Millimeter  |
| Relubricatable            | Yes  |
| Insert Part Number        | YAR 207-2F/VA228   |
| Seals                     | M Seal   |
| Housing Configuration     | 1 Piece Solid  |
| Inch - Metric             | Metric   |
| Other Features            | Single Row   Standard Duty<br>  Wide Inner Race   High<br>Temperature Bearing with<br>Graphite   Y Bearing   Has<br>Flinger                                  |
| Long Description          | 2 Bolt Pillow Block; 35MM<br>Bore; 47.6MM Base to<br>Center Height; Set Screw<br>Mount; Ball Bearing;<br>Relubricatable; Cast Iron; M<br>Seal; Non-expansion |
| Category                  | Pillow Block   |
| UNSPSC                    | 31171511   |
| Harmonized Tariff Code    | 8483.20.40.40  |
| Noun                      | Bearing  |



## NTK BEARING PRECISION AXLE CORP.

| Keyword String                | Pillow Block  |
|-------------------------------|---|
| Manufacturer URL              | <a href="http://www.skf.com">http://www.skf.com</a> |
| Manufacturer Item Number      | SY 35 TF/VA228                                      |
| Weight / LBS                  | 3.2   |
| Nominal Bolt Center to Center | 5 Inch   127 Millimeter                             |
| Base to Center Height         | 1.874 Inch   47.6 Millimeter                        |
| Bore                          | 1.378 Inch   35 Millimeter                          |
| Bolt Spacing Minimum          | 0 Inch   0 Millimeter                               |
| Actual Bolt Center to Center  | 5 Inch   127 Millimeter                             |
| Bolt Spacing Maximum          | 0 Inch   0 Millimeter                               |
| Length Thru Bore              | 1.689 Inch   42.9 Millimeter                        |
| mounting:                     | Two-Bolt Base                                       |
| overall height:               | 93 mm   |
| bore diameter:                | 35 mm   |
| finish/coating:               | Uncoated  |
| bore type:                    | Round   |
| radial static load capacity:  | 15.3 kN   |
| base to bore centerline:      | 1.8740 in   |
| base width:                   | 45 mm   |
| housing material:             | Cast Iron   |
| bolt center-to-center length: | 126 mm  |
| locking device:               | Set Screw   |
| lubrication type:             | Lubrication Fitting                                 |
| expansion type:               | Non-Expansion Bearing<br>(Fixed)                    |
| series:                       | SY  |
| overall length:               | 160 mm  |
| standards met:                | ISO   |
| A <sub>1</sub>                | 29 mm   |
| H <sub>1</sub>                | 47.6 mm   |
| H <sub>2</sub>                | 19 mm   |
|                               |   |



## NTK BEARING PRECISION AXLE CORP.

|   |                   |
|---|-------------------|
| N   | 21 mm             |
| N <sub>1</sub>                              | 14 mm             |
| s <sub>1</sub>                              | 25.4 mm           |
| Basic dynamic load rating C                 | 25.5 kN           |
| Basic static load rating C <sub>0</sub>     | 15.3 kN           |
| Limiting temperature T max.                 | 350 ° C           |
| Grub (set) screw G <sub>2</sub>             | M6x0.75           |
| Hexagonal key size for grub screw N         | 3 mm              |
| Attachment bolts, recommended metric size G | 12 mm             |
| Bearing                                     | YAR 207-2FW/VA228 |