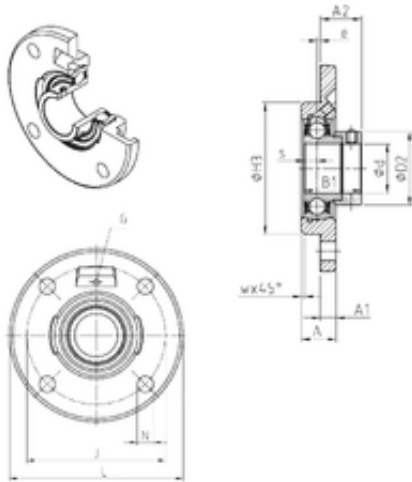




NTK BEARING PRECISION AXLE CORP.



SNR ESFCE205 bearing units

Bearing No. ESFCE205

Bore Diameter	25 mm
d	25 mm
H3	70 mm
e	2,5 mm
s	7,5 mm
A	20 mm
A1	9 mm
B1	30,9 mm
D2	38,1 mm
J	90 mm
L	115 mm
N	9 mm
W	2 mm
Thread (G)	M6x1
A2	20,9 mm
Weight	0,8 Kg
Basic dynamic load rating (C)	14 kN

ESFCE205 Bearing 2D drawings and 3D CAD models