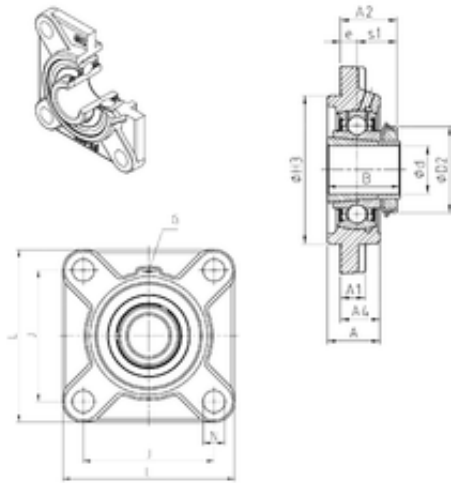




# NTK BEARING PRECISION AXLE CORP.



## SNR UKFS313H bearing units

Bearing No. UKFS313H

Bore Diameter	60 mm
d	60 mm
H3	175 mm
A4	40 mm
e	15 mm
s1	38,5 mm
A	58 mm
A1	22 mm
B	65 mm
D2	85 mm
J	166 mm
L	208 mm
N	23 mm
Thread (G)	M6x1
A2	53,5 mm
Weight	8,8 Kg
Basic dynamic load rating (C)	93,86 kN

UKFS313H Bearing 2D drawings and 3D CAD models