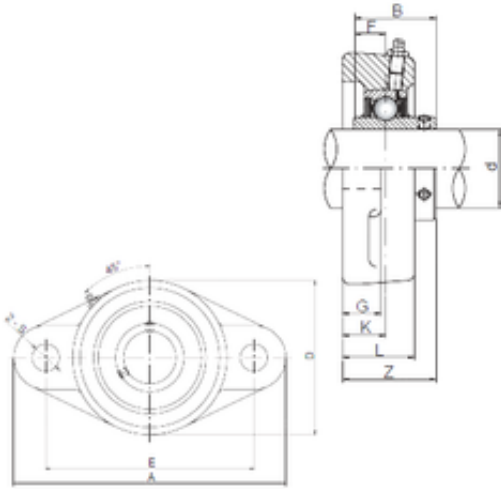




NTK BEARING PRECISION AXLE CORP.

35 mm x 90 mm x 42,9 mm ISO UCFL207 bearing units

Bearing No. UCFL207



UCFL207 Bearing 2D drawings and 3D CAD models

Bore Diameter	35 mm
d	35 mm
B	42,9 mm
Z	44,4 mm
A	161 mm
D	90 mm
E	130 mm
F	17,5 mm
G	14 mm
K	19 mm
L	34 mm
S	16 mm
Bolt (G)	M14