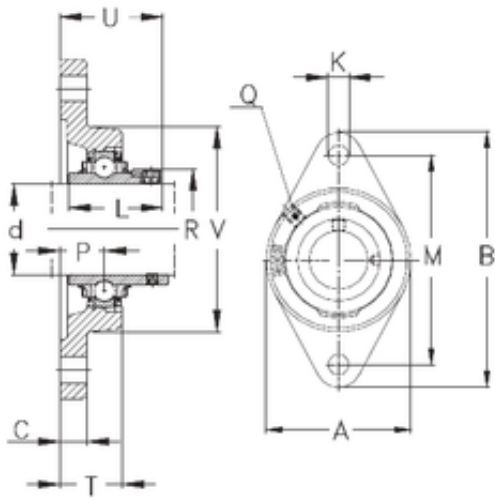




# NTK BEARING PRECISION AXLE CORP.

## NKE RCJTY25-N bearing units

Bearing No. RCJTY25-N



RCJTY25-N Bearing 2D drawings and 3D CAD models

Bore Diameter	25 mm
d	25 mm
P	19 mm
V	70 mm
U	38,8 mm
K	11,5 mm
A	70 mm
B	124 mm
C	11 mm
L	34,1 mm
M	99 mm
T	29 mm
Thread (G)	R1/8 "