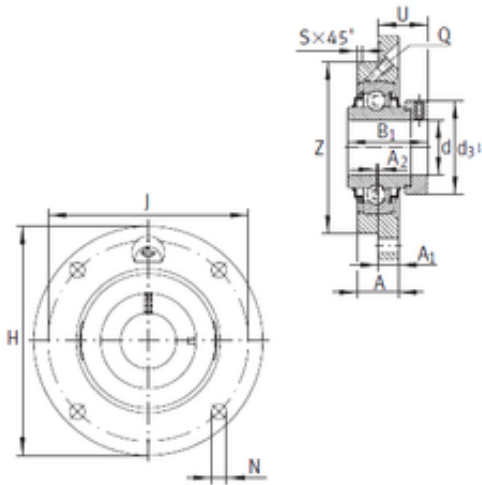




NTK BEARING PRECISION AXLE CORP.



INA RMEO100 bearing units

Bearing No. RMEO100

Bore Diameter	100 mm
d	100 mm
U	68,5 mm
Thread (Q)	Rp1/8
Z	250 mm
d3	145 mm
A	57 mm
A1	27 mm
B1	109,4 mm
H	340 mm
J	295 mm
N	26 mm
S	8 mm
A2	1,5 mm
Weight	22,3 Kg
Basic dynamic load rating (C)	174 kN
Category	Flange Block Bearings
Inventory	0.0
Manufacturer Name	SCHAEFFLER GROUP
Minimum Buy Quantity	N/A
Weight / Kilogram	25.607
EAN	4012802133950
Product Group	M06110
Number of Mounting Holes	4
Mounting Method	Eccentric Collar
Housing Style	4 Bolt Round Flange

RMEO100 Bearing 2D drawings and 3D CAD models



NTK BEARING PRECISION AXLE CORP.

	Cartridge
Rolling Element	Ball Bearing
Housing Material	Cast Iron
Expansion / Non-expansion	Non-expansion
Mounting Bolts	26 Millimeter
Relubricatable	Yes
Insert Part Number	GNE100KRRB-FA107
Seals	Double Land Riding Rubber Contact
Housing Configuration	1 Piece Solid
Pilot Configuration	With Pilot
Inch - Metric	Metric
Long Description	4 Bolt Round Flange Cartridge; 100MM Bore; 295MM Bolt Circle; 208.6MM Bolt Spacing; 1 Piece Solid; Eccentric Collar Mount; Cast Iron; Ball Bearing; 109.4MM Length Thru Bore; Relubricatable; Double Lan
Other Features	Single Row Centering Spigot With Set Screw
Category	Flange Block
UNSPSC	31171501
Harmonized Tariff Code	8483.20.40.40
Noun	Bearing
Keyword String	Flanged
Manufacturer URL	http://www.ina.com
Manufacturer Item Number	RMEO100
Weight / LBS	49.163
Cartridge Pilot Depth	0.866 Inch 22 Millimeter
Cartridge Pilot Diameter	9.843 Inch 250 Millimeter
Bore	3.937 Inch 100 Millimeter
Bolt Spacing	8.2 Inch 208.6 Millimeter



NTK BEARING PRECISION AXLE CORP.

Nominal Bolt Circle Diameter Round	11.6 Inch 295 Millimeter
Length Thru Bore	4.307 Inch 109.4 Millimeter