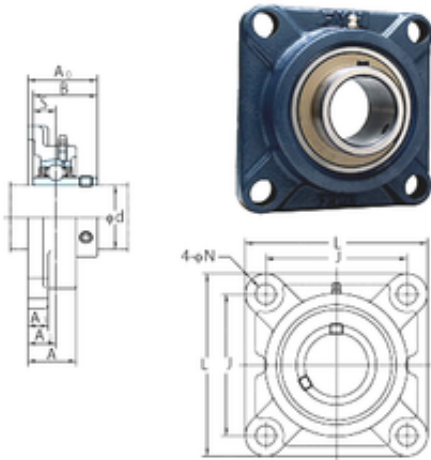




# NTK BEARING PRECISION AXLE CORP.

## FYH UCF310 bearing units

Bearing No. UCF310



UCF310 Bearing 2D drawings and 3D CAD models

Bore Diameter	50 mm
d	50 mm
A0	67 mm
A	48 mm
A1	19 mm
B	61 mm
J	132 mm
L	175 mm
N	23 mm
S	22 mm
Bolt (G)	M20
A2	28 mm
Weight	5,1 Kg
Basic dynamic load rating (C)	62 kN
Basic static load rating (C0)	38,3 kN
Category	Mounted Units & Inserts
Inventory	0.0
Manufacturer Name	FYH BEARING UNITS
Minimum Buy Quantity	N/A
Weight / Kilogram	0
Product Group	M06110