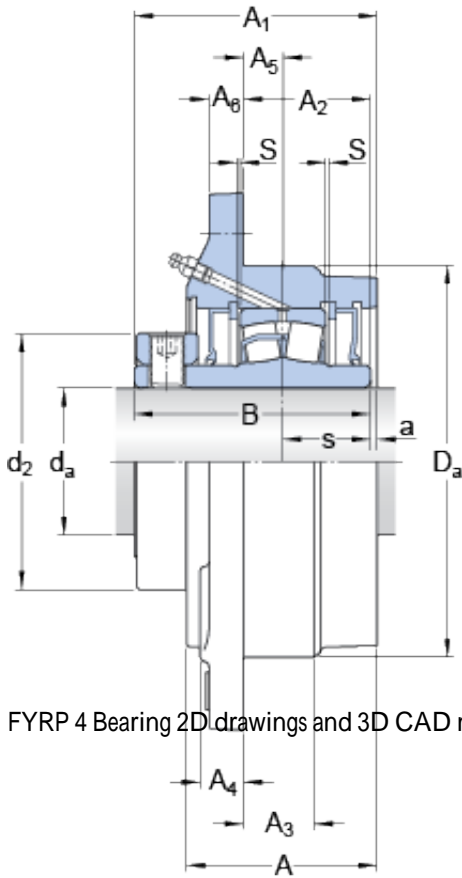




# NTK BEARING PRECISION AXLE CORP.



FYRP 4 Bearing 2D drawings and 3D CAD models

## SKF FYRP 4 bearing units

Bearing No. FYRP 4

Size	101.6x152.4x206.375 mm
Bore Diameter	101,6 mm
Outer Diameter	152,4 mm
Width	206,375 mm
$d_a$	101.6 mm
$d_2$	152.4 mm
$D_a$	206.375 mm
A	92.075 mm
$A_1$	121.444 mm
$A_2$	61.119 mm
$A_3$	50.8 mm
$A_4$	25.4 mm
$A_5$	20.638 mm
$A_6$	22.225 mm
B	116.681 mm
a	5.556 mm
J	238.125 mm
L	276.225 mm
$N_1$	20.638 mm
s	41.275 mm
S	0.794 mm
Basic dynamic load rating - C	311 kN
Limiting speed	2100 r/min
Category	Flange Block Bearings



## NTK BEARING PRECISION AXLE CORP.

Inventory	0.0
Manufacturer Name	SKF
Minimum Buy Quantity	N/A
Weight / Kilogram	16.96
EAN	7316576665028
Product Group	M06288
Number of Mounting Holes	4
Mounting Method	Concentric Collar
Housing Style	4 Bolt Round Flange Cartridge
Rolling Element	Spherical Roller Bearing
Housing Material	Cast Iron
Expansion / Non-expansion	Expansion
Mounting Bolts	3/4 Inch
Relubricatable	Yes
Insert Part Number	22220
Seals	Trigard
Housing Configuration	1 Piece Solid
Pilot Configuration	With Pilot
Inch - Metric	Inch
Long Description	4 Bolt Round Flange Cartridge; 4" Bore; 9.4" Bolt Circle; 6.6" Bolt Spacing; 1 Piece Solid; Concentric Collar Mount; Cast Iron; Spherical Roller Bearing; 4-19/32" Length Thru Bore;
Other Features	Double Row   Heavy Duty   Open End   With Set Screw
Category	Flange Block
UNSPSC	31171501
Harmonized Tariff Code	8483.20.40.80
Noun	Bearing
Keyword String	Flanged
Manufacturer URL	<a href="http://www.skf.com">http://www.skf.com</a>



## NTK BEARING PRECISION AXLE CORP.

Manufacturer Item Number	FYRP 4
Weight / LBS	40
Bore	4 Inch   101.6 Millimeter
Bolt Spacing	6.6 Inch   167.6 Millimeter
Cartridge Pilot Diameter	8.125 Inch   206.375 Millimeter
Cartridge Pilot Depth	2 Inch   50.8 Millimeter
Nominal Bolt Circle Diameter Round	9.4 Inch   238 Millimeter
Length Thru Bore	4.594 Inch   116.688 Millimeter
bore diameter:	4 in
expansion type:	Non-Expansion Bearing (Fixed)
bolt center-to-center length:	9.3750 in
seal type:	Contact/Lip
overall length/diameter:	10.8750 in
overall depth:	4-13/16 in
flange mounting type:	Four-Bolt Piloted
radial dynamic load capacity:	69900 lb
bearing type:	Spherical Roller
radial static load capacity:	93300 lb
housing construction:	Solid Flange Mount
operating temperature range:	Maximum of +110 ° F
bore type:	Round
finish/coating:	Uncoated
duty type:	Standard Duty
lubrication type:	Lubrication Fitting
housing material:	Cast Iron
series:	222
locking device:	Set Screw
d <sub>a</sub>	101.6 mm



## NTK BEARING PRECISION AXLE CORP.

$d_2$	152.4 mm
$D_a$	206.375 mm
$A_1$	121.444 mm
$A_2$	61.119 mm
$A_3$	50.8 mm
$A_4$	25.4 mm
$A_5$	20.637 mm
$A_6$	22.225 mm
$N_1$	20.637 mm
Basic dynamic load rating C	311 kN
Mass bearing unit	18.1 kg
Attachment bolt diameter G	19.05 mm