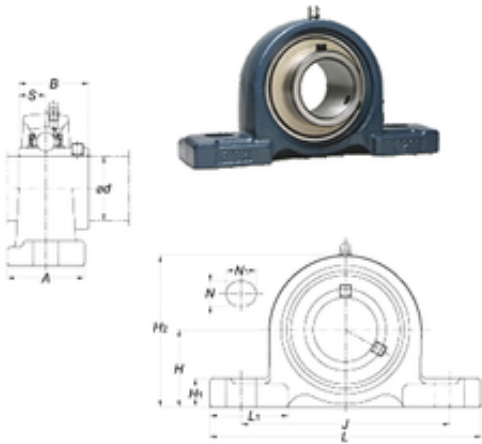




NTK BEARING PRECISION AXLE CORP.

FYH UCP312 bearing units



Bearing No. UCP312

Bore Diameter	60 mm
Width	71 mm
d	60 mm
A	85 mm
B	71 mm
H	85 mm
H1	29 mm
H2	167 mm
J	250 mm
L	330 mm
L1	103 mm
N	25 mm
N1	38 mm
S	26 mm
Bolt (G)	M20
Weight	9,5 Kg
Basic dynamic load rating (C)	81,9 kN
Basic static load rating (C0)	52,2 kN
Category	Mounted Units & Inserts
Inventory	0.0
Manufacturer Name	FYH BEARING UNITS
Minimum Buy Quantity	N/A
Weight / Kilogram	0
Product Group	M06110

UCP312 Bearing 2D drawings and 3D CAD models