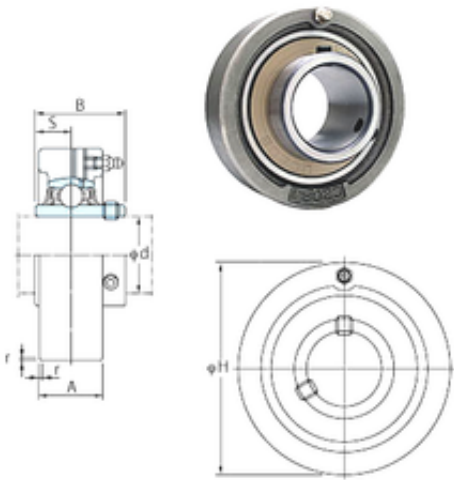




NTK BEARING PRECISION AXLE CORP.

FYH UCC208-25 bearing units

Bearing No. UCC208-25



UCC208-25 Bearing 2D drawings and 3D CAD models

Bore Diameter	39,6875 mm
Width	49,2 mm
d	39,6875 mm
r	2 mm
A	30 mm
B	49,2 mm
H	100 mm
S	19 mm
Weight	1,2 Kg
Basic dynamic load rating (C)	29,1 kN
Basic static load rating (C0)	17,8 kN