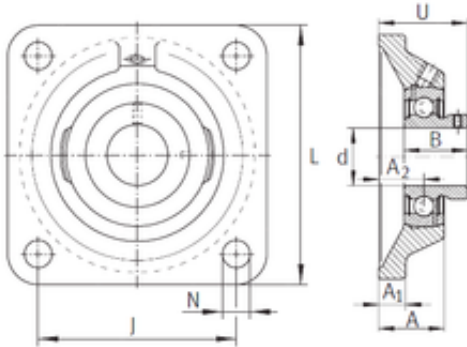




NTK BEARING PRECISION AXLE CORP.

INA PCJY1 bearing units



Bearing No. PCJY1

Bore Diameter	25,4 mm
d	25,4 mm
V	80,01 mm
U	38,506 mm
Thread (Q)	1/8 NPT
A	30,505 mm
A1	13,005 mm
B	27 mm
J	70,002 mm
L	95,504 mm
N	11,506 mm
A2	18,999 mm

PCJY1 Bearing 2D drawings and 3D CAD models