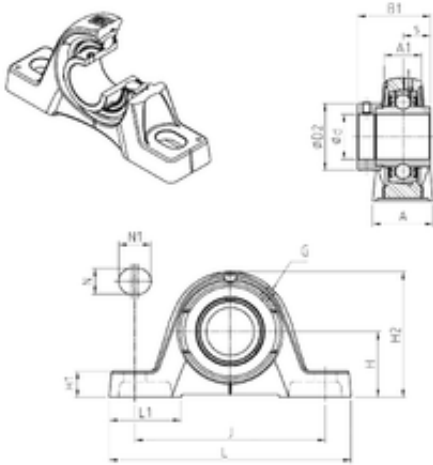




NTK BEARING PRECISION AXLE CORP.

SNR EXPE205 bearing units

Bearing No. EXPE205



EXPE205 Bearing 2D drawings and 3D CAD models

Bore Diameter	25 mm
d	25 mm
s	17,4 mm
A	36 mm
A1	21 mm
B1	44,3 mm
D2	38,1 mm
H	36,5 mm
H1	14,5 mm
H2	70 mm
J	103 mm
L	130 mm
L1	39 mm
N	11 mm
N1	19 mm
Thread (G)	R1/8"
Weight	0,8 Kg
Basic dynamic load rating (C)	14 kN