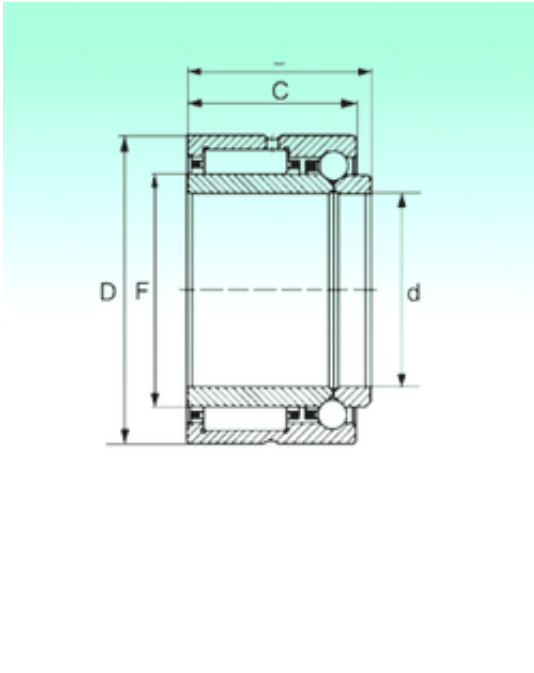




NTK BEARING PRECISION AXLE CORP.



NKIB 5908 Bearing 2D drawings and 3D CAD models

40 mm x 62 mm x 34 mm NBS NKIB 5908 complex bearings

Bearing No. NKIB 5908

Size	40x62x34 mm
Bore Diameter	40 mm
Outer Diameter	62 mm
Width	34 mm
d	40 mm
F	48 mm
D	62 mm
B	34 mm
C	30 mm
Weight	0,32 Kg
Dynamic load rating radial (C)	40,85 kN
Dynamic load rating axial (C)	7,03 kN
Static load rating radial (C0)	63,65 kN
Static load rating axial (C0)	12,065 kN