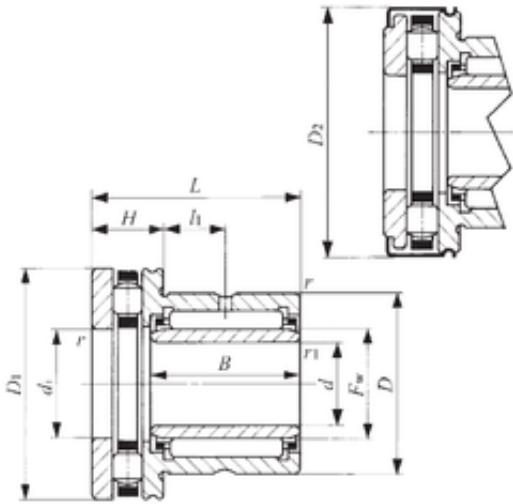




NTK BEARING PRECISION AXLE CORP.

30 mm x 47 mm x 20 mm IKO NBXI 3030Z
complex bearings

Bearing No. NBXI 3030Z



NBXI 3030Z Bearing 2D drawings and 3D CAD models

| | |
|--------------------------------|----------|
| Bore Diameter | 30 mm |
| Outer Diameter | 47 mm |
| d | 30 mm |
| Fw | 35 mm |
| D | 47 mm |
| D1 | 52 mm |
| D2 | 53 mm |
| B | 20 mm |
| d1 | 35 mm |
| r min. | 0,6 mm |
| r1 min. | 0,3 mm |
| H | 12 mm |
| L | 30 mm |
| L1 | 9 mm |
| da min. | 50 mm |
| db | 34 mm |
| Weight | 0,232 Kg |
| Dynamic load rating radial (C) | 26,9 kN |
| Dynamic load rating axial (C) | 29,1 kN |
| Static load rating radial (C0) | 46,2 kN |
| Static load rating axial (C0) | 91,1 kN |
| Category | Bearings |
| Inventory | 0.0 |
| Manufacturer Name | IKO |
| | |



NTK BEARING PRECISION AXLE CORP.

| | |
|----------------------|--------|
| Minimum Buy Quantity | N/A |
| Weight / Kilogram | 0 |
| Product Group | B04144 |