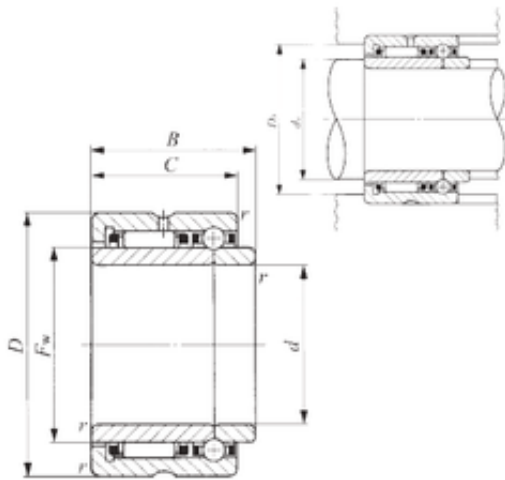




NTK BEARING PRECISION AXLE CORP.

15 mm x 28 mm x 20 mm IKO NATB 5902 complex bearings



Bearing No. NATB 5902

Size	15x28x20 mm
Bore Diameter	15 mm
Outer Diameter	28 mm
Width	20 mm
d	15 mm
Fw	20 mm
D	28 mm
B	20 mm
C	18 mm
r min.	0,3 mm
da min.	17 mm
Da max.	26 mm
Weight	0,053 Kg
Dynamic load rating radial (C)	7,71 kN
Dynamic load rating axial (C)	1,9 kN
Static load rating radial (C0)	10,2 kN
Static load rating axial (C0)	2,92 kN

NATB 5902 Bearing 2D drawings and 3D CAD models