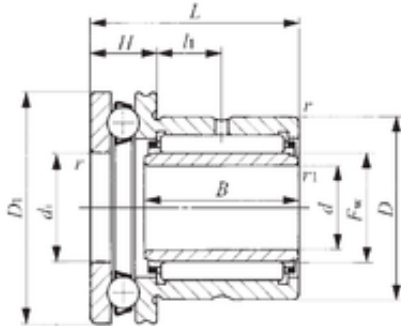




NTK BEARING PRECISION AXLE CORP.

17 mm x 30 mm x 20,5 mm IKO NAXI 1730 complex bearings



NAXI 1730 Bearing 2D drawings and 3D CAD models

Bearing No. NAXI 1730

Bore Diameter	17 mm
Outer Diameter	30 mm
d	17 mm
Fw	20 mm
D	30 mm
D1	35 mm
B	20,5 mm
d1	20 mm
r min.	0,3 mm
r1 min.	0,3 mm
H	10 mm
L	30 mm
L1	10,5 mm
da min.	29 mm
db	19 mm
Weight	0,099 Kg
Dynamic load rating radial (C)	17,6 kN
Dynamic load rating axial (C)	14,2 kN
Static load rating radial (C0)	25,4 kN
Static load rating axial (C0)	19,7 kN
Category	Bearings
Inventory	0.0
Manufacturer Name	IKO
Minimum Buy Quantity	N/A



NTK BEARING PRECISION AXLE CORP.

Weight / Kilogram	0
Product Group	B04144