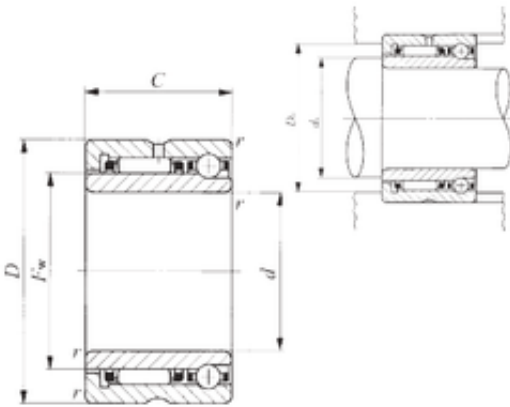




NTK BEARING PRECISION AXLE CORP.

60 mm x 85 mm x 34 mm IKO NATA 5912 complex bearings

Bearing No. NATA 5912



NATA 5912 Bearing 2D drawings and 3D CAD models

| | |
|--------------------------------|-------------|
| Size | 60x85x34 mm |
| Bore Diameter | 60 mm |
| Outer Diameter | 85 mm |
| Width | 34 mm |
| d | 60 mm |
| Fw | 68 mm |
| D | 85 mm |
| B | 34 mm |
| C | 34 mm |
| r min. | 1 mm |
| da min. | 65 mm |
| Da max. | 80 mm |
| Weight | 0,625 Kg |
| Dynamic load rating radial (C) | 41,8 kN |
| Dynamic load rating axial (C) | 10,7 kN |
| Static load rating radial (C0) | 82,2 kN |
| Static load rating axial (C0) | 26,7 kN |