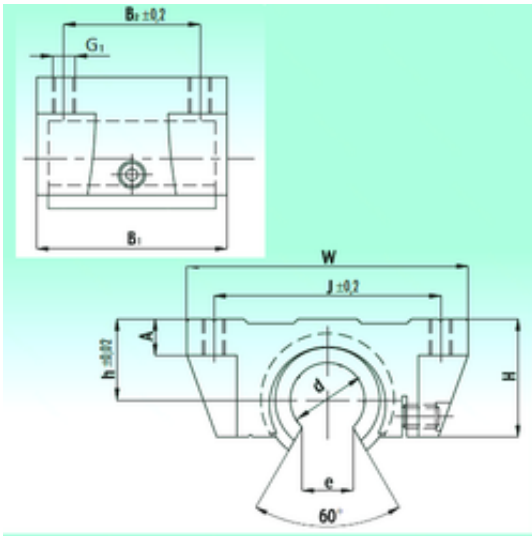




NTK BEARING PRECISION AXLE CORP.



TBR 30 Bearing 2D drawings and 3D CAD models

NBS TBR 30 linear bearings

Bearing No. TBR 30

Bore Diameter	30 mm
d	30 mm
Thread (G1)	M8
e	14 mm
h	33,5 mm
A	12 mm
B1	75 mm
B2	60 mm
H	48 mm
J	75 mm
W	91 mm
Weight	0,9 Kg
Basic dynamic load rating (C)	1,764 kN